

SERVICE



LETTER

Service Letter No. 447

March 26, 1965

TO: Distributors, Dealers, Certified Service Centers and Owners

SUBJECT: Inspection of Landing Gear Transmission Retract Spring

MODELS AFFECTED: All PA-24 Comanche Series and PA-30 Twin Comanche Series Aircraft

The subject spring is located in the landing gear transmission well and raises the landing gear transmission jack screw to prevent the jack screw from dropping down and interfering with the landing gear mechanism during manual extension of the gear. See sketch on the reverse side of this Service Letter.

It is requested that this spring be inspected during routine inspections and, if broken, missing, or not functioning properly, a new spring must be installed.

Replacement springs may be ordered as indicated below:

PA-24 and PA-24-250 Comanche Aircraft:

Serial Nos. 24-1 to 24-3557 incl.	Coil Spring, part number 83302-39
Serial Nos. 24-3558 and up	Coil Spring, part number 83302-31

PA-24-260 Comanche Aircraft:

Serial Nos. 24-3642, 24-4000 and up	Coil Spring, part number 83302-31
-------------------------------------	-----------------------------------

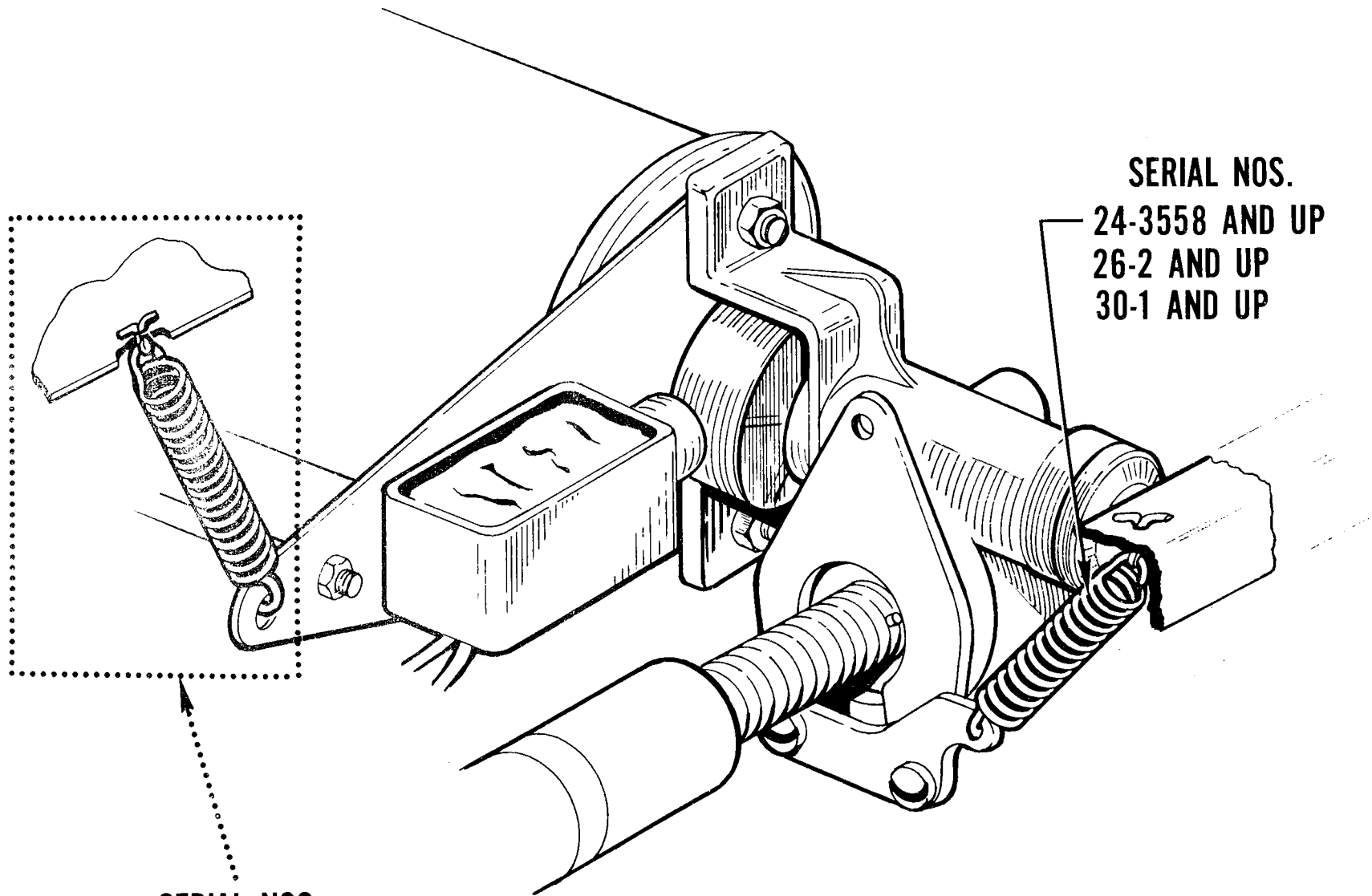
PA-24-400 Comanche Aircraft:

Serial Nos. 26-2 and up	Coil Spring, part number 83302-31
-------------------------	-----------------------------------

PA-30 Twin Comanche Aircraft:

Serial Nos. 30-1 and up	Coil Spring, part number 83302-31
-------------------------	-----------------------------------

PIPER AIRCRAFT CORPORATION, LOCK HAVEN, PA., U. S. A.



SERIAL NOS.
24-3558 AND UP
26-2 AND UP
30-1 AND UP

SERIAL NOS.
24-1 TO 24-3557 INCL.

SERVICE LETTER
NO. 447