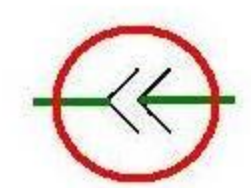


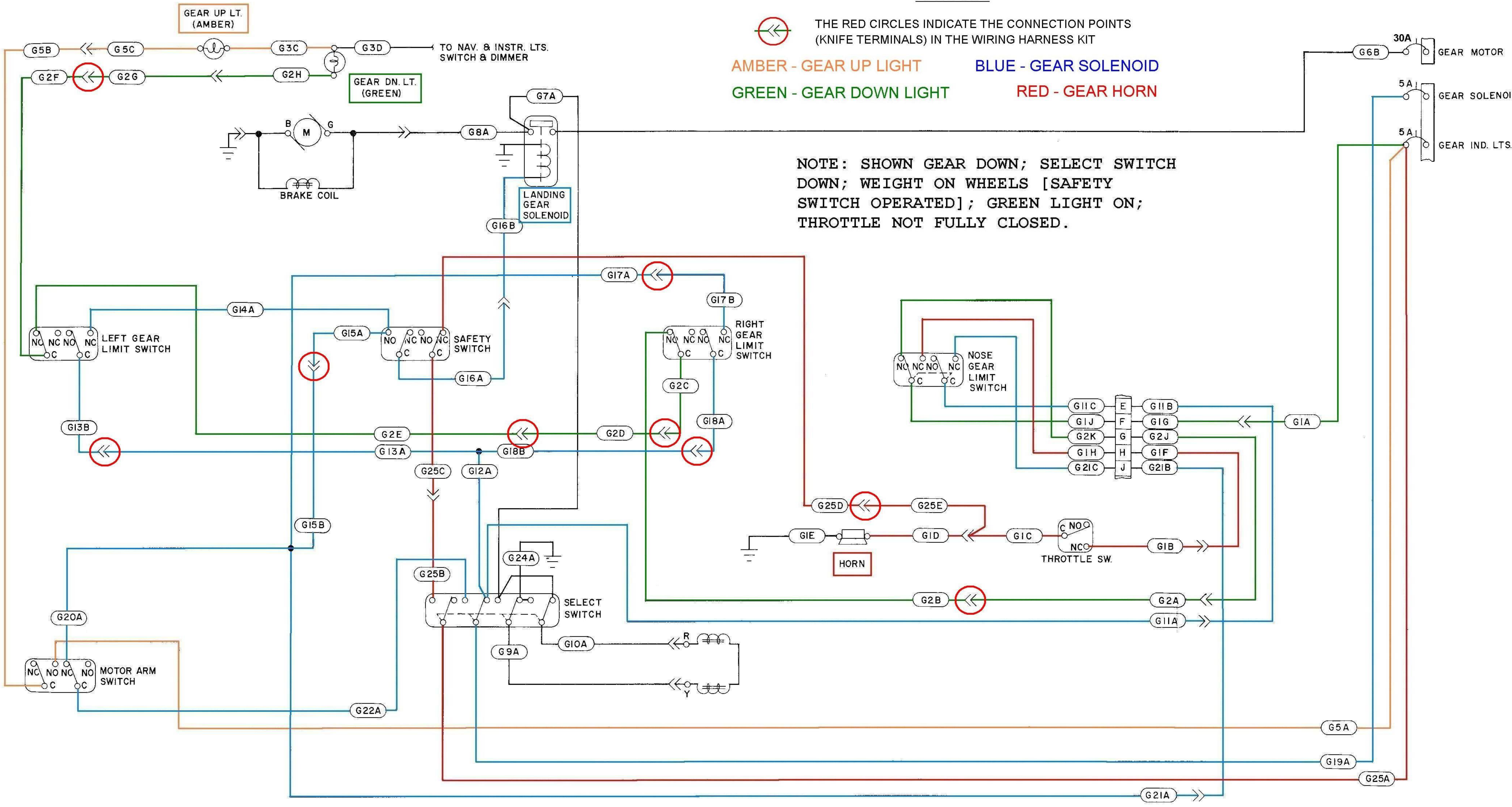
### LEGEND



THE RED CIRCLES INDICATE THE CONNECTION POINTS (KNIFE TERMINALS) IN THE WIRING HARNESS KIT

AMBER - GEAR UP LIGHT      BLUE - GEAR SOLENOID  
 GREEN - GEAR DOWN LIGHT      RED - GEAR HORN

NOTE: SHOWN GEAR DOWN; SELECT SWITCH DOWN; WEIGHT ON WHEELS [SAFETY SWITCH OPERATED]; GREEN LIGHT ON; THROTTLE NOT FULLY CLOSED.



PA-24-180 & PA-24-250 SERIAL NO'S. 2202 & UP

CORRECTIONS: MOTOR ARM SWITCH "G20A" WIRE LOCATION BY - M KURKE 30A CIRCUIT BREAKER REPLACING 25A

PA-24-180 & PA-24-250 SERIAL #'S 2202 & UP

FIGURE 9-85. GEAR MOTOR, SOLENOID, & INDICATOR LIGHTS