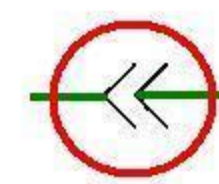


LEGEND



THE RED CIRCLES INDICATE THE CONNECTION POINTS (KNIFE TERMINALS) IN THE WIRING HARNESS KIT

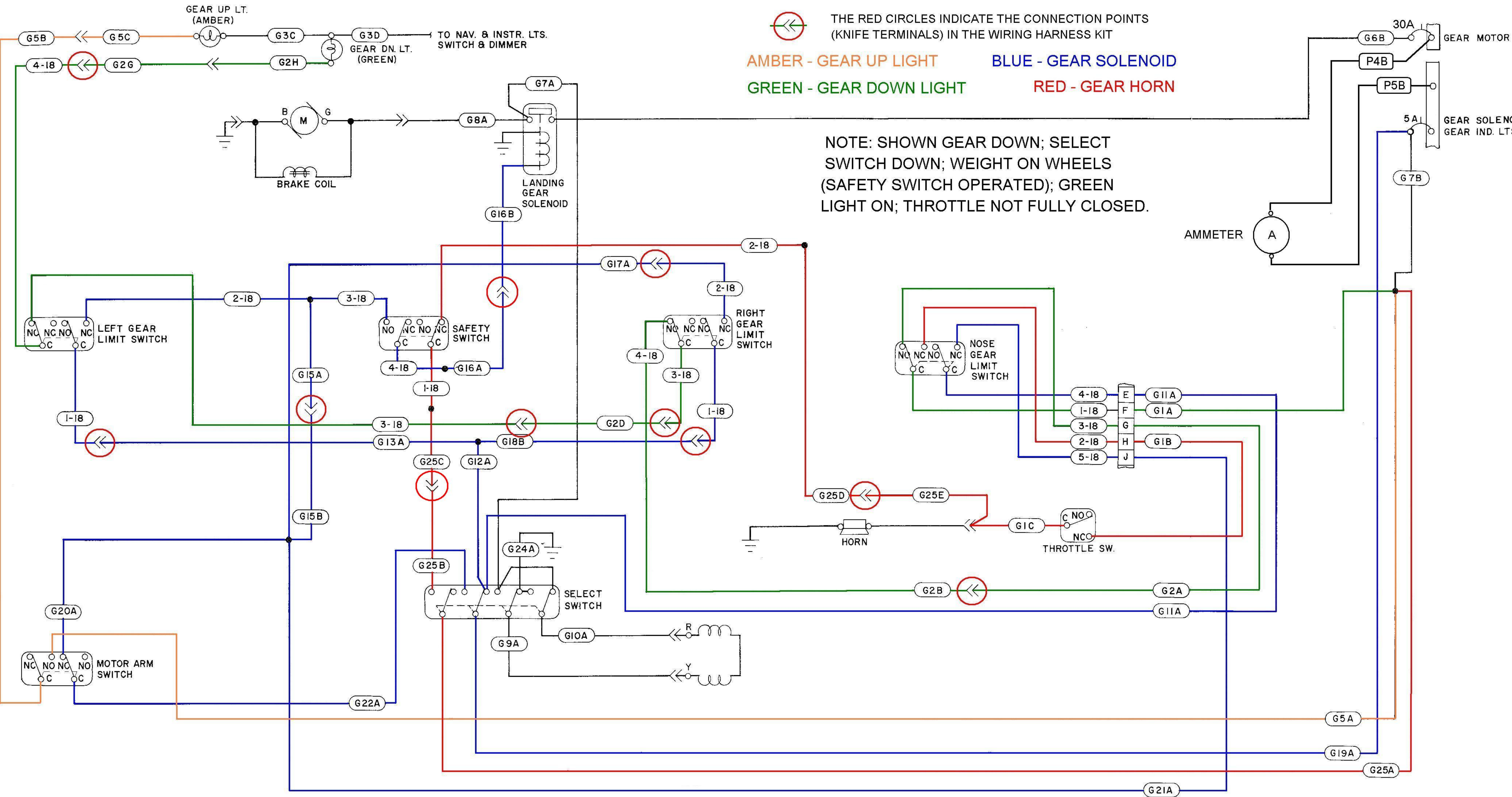
AMBER - GEAR UP LIGHT

BLUE - GEAR SOLENOID

GREEN - GEAR DOWN LIGHT

RED - GEAR HORN

NOTE: SHOWN GEAR DOWN; SELECT SWITCH DOWN; WEIGHT ON WHEELS (SAFETY SWITCH OPERATED); GREEN LIGHT ON; THROTTLE NOT FULLY CLOSED.



PA24-260 SERIAL NO'S. 24-4000 TO 4782 & 24-4784 TO 4803
& PA-24-400 (ALL)

CORRECTIONS: MOTOR ARM SWITCH "G20A" WIRE LOCATION BY - MKURKE
30A CIRCUIT BREAKER REPLACING 25A
AMMETER SCHEMATIC ADDITION

FIGURE 9-87. GEAR MOTOR, SOLENOID, & INDICATOR LIGHTS